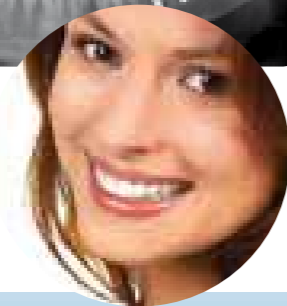
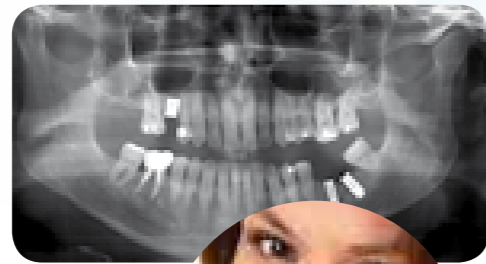


I-MAX EASY

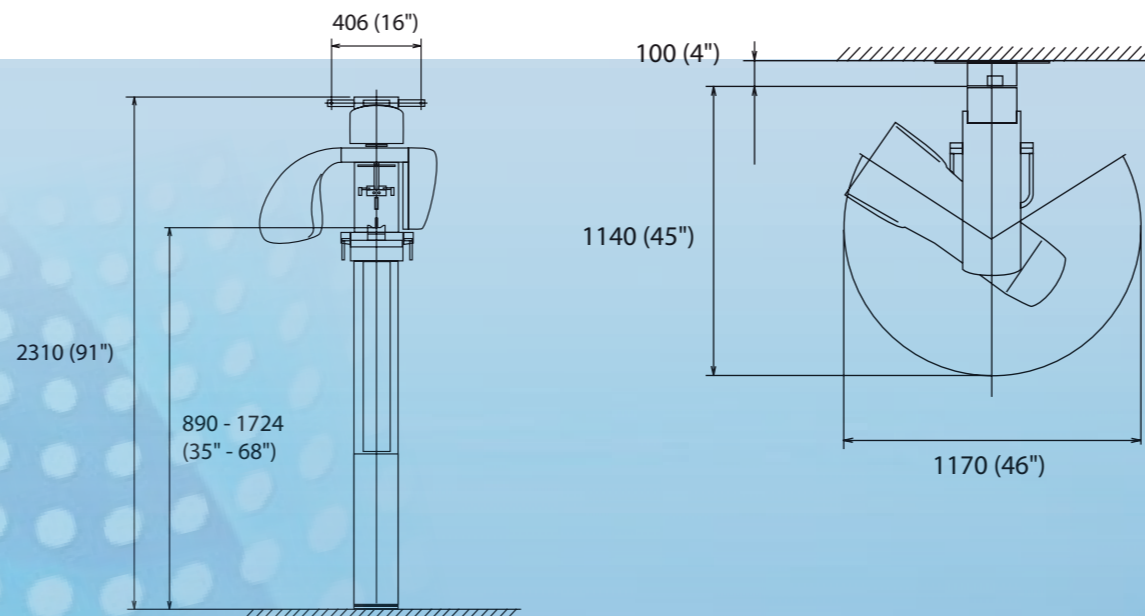
I-Max Easy  
The affordable, design  
panoramic system

**Technical specifications**

Digital sensor: CCD  
Pixel size: 48 µm  
CCD resolution: 10.4 / 5.2 pl/mm  
PC connection: USB 2.0 - 480 Mb/s  
Storage device: Compact Flash Card  
kV selection: 60-85 kVp  
Current: 10 mA  
Focus: 0.5  
Exposure time: Panoramic 17" adult / 14" child, TMJ 9.4"  
Absorbed current: 5 A @ 230V  
Absorbed power: 1.15 kVa  
Standards: EC 93/42



Agence B-EST RCS Meaux 453 054 298 - 02/2011 - I-Max Easy - EN



**owandy**

Owandy is an international organisation that is renowned for manufacturing dental imaging solutions and developing imaging and office management software. Its software is used by around half of the dental practitioners in France today and its range of digital imaging solutions is available to dentists in more than 50 countries on all the continents

throughout the world. In addition to the range of products and services, Owandy strives to contribute to the improvement of the orodental health and the well being of patients. A committed and innovative organisation, Owandy has been a hallmark partner for dentists for over 20 years.

Dealer's stamp

**Owandy USA**  
Tel: 877-828-2986  
Fax: 909-587-1131  
Email: sales@owandyusa.com  
www.owandyusa.com

**owandy**

DIGITAL SENSORS  
PANORAMIC UNITS  
CAMERAS  
RADIOLOGY EQUIPMENTS  
SOFTWARES

I-M AX E ASY

The affordable, design panoramic system

**owandy**



## The affordable, design panoramic system

**Equip your surgery with a leading-edge technology device at a very reasonable price**

**I-Max Easy** : The winning combination to discover the benefits from digital imaging's diagnosis



**Design and ergonomics**



**Simplicity and user-friendliness**



**The essence of technology**



**Recognised effectiveness**



**Image quality**



**QuickVision integrated panoramics**

QuickVision – the benchmark for dental software to support your imaging  
Professional and intuitive dental imaging software

User-friendly and readily accessible, with its contextual menus, its icons and tabbed layout, the QuickVision software is 100% integrated with your panoramic unit and offers you all the image processing capabilities: contrast enhancement, video inversion, zoom, filters, pseudo-colours, equidensity, zoom navigator, etc. It also enables you to make very precise, actual size measurements directly on your panoramic image.



**Design and ergonomics**

Its simple, refined design makes I-Max Easy a panoramic system that is both up-to-the-minute (up to date ?) and timeless. Its dimensions are reduced so that it takes up the minimum space: it can therefore be installed in any surgery. Modern and aesthetic, it will enhance your workspace and look completely in place.



**Simplicity and user-friendliness**

I-Max Easy enables precise positioning of the patient. Guided by laser beams (Frankfurt and Sagittal planes), the operator puts the patient in an ideal position with ease. Maintaining this ideal position is ensured by I-Max Easy's 4 patient head support points: its temple clamp, chin support, frontal support and head and neck support system.

Operation of the panoramic unit is obvious and intuitive. Its remote control with its simple icons makes I-Max Easy user-friendly. Lastly, with Quickvision imaging technology integrated in the panoramic unit, you produce high-definition images and can perform quality monitoring.



**The essence of technology providing maximum adaptation**

Through its USB 2 interface, I-Max Easy connects to any PC having a USB port. Even better... With pre-installed compact flash, I-Max Easy can also record images while unconnected to a PC. Thanks to this compact card, images taken can be imported onto any computer in the practice. The CCD sensor's great sensitivity coupled with the I-Max Easy's powerful electronics ensures the creation of high-resolution images. Indeed, the images captured have perfect luminosity and are ideally contrasted. The very clear reproduction provided by I-Max Easy enables you to make an effective, precise and rapid diagnosis.



**Recognised effectiveness**

With I-Max Easy, produce all the panoramic radiographs you need to make your diagnoses quickly and precisely:

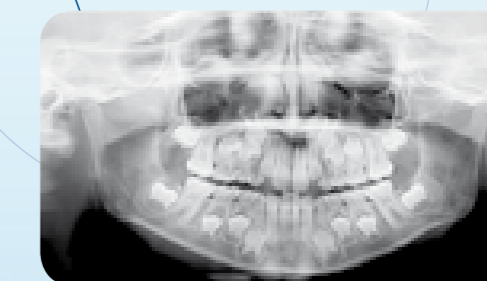
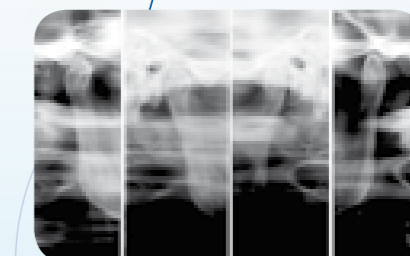
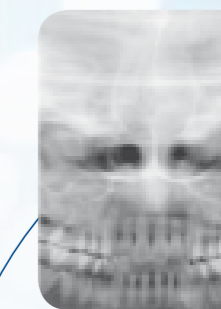
- Standard adult panoramic
- Standard child panoramic
- Open/closed mouth TMJ
- Sinus



**High-definition image quality**

With I-Max Easy, produce perfect quality images and at the same time, limit X-ray doses emitted.

A very precise diagnostic tool, I-Max Easy also enables you to perform implant simulations.



**I-Max Easy**  
The affordable, design panoramic system

